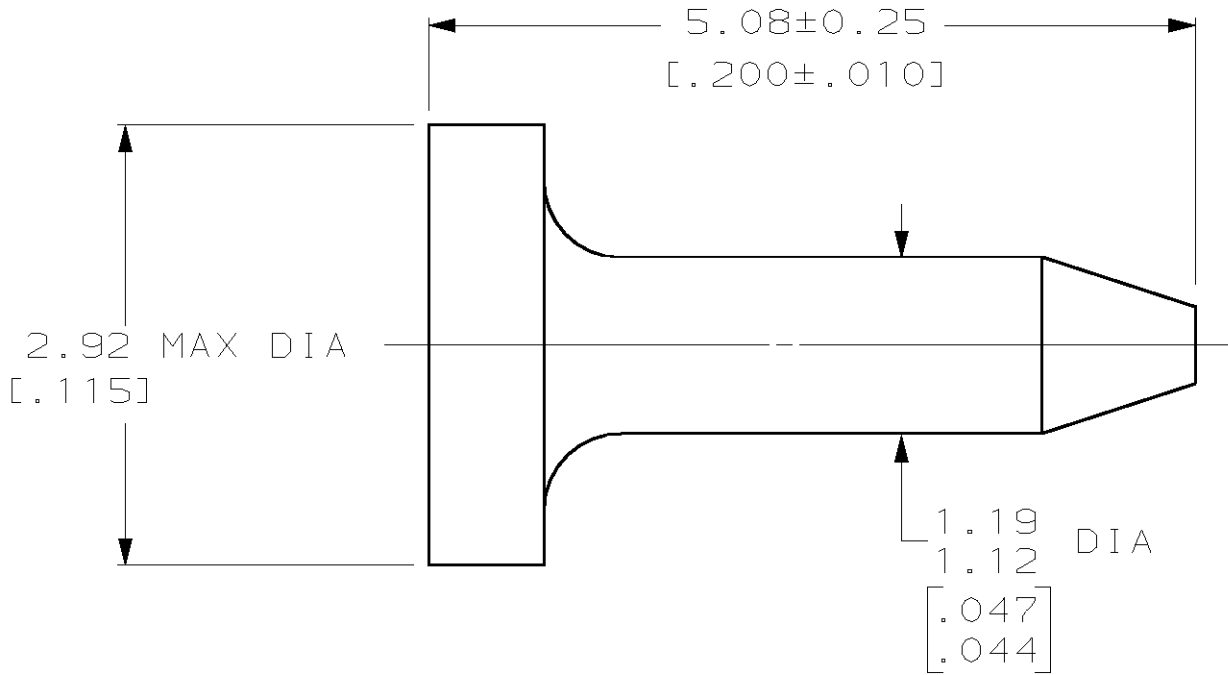


LOC	DIST	REVISIONS					
BD	0	P	LTR	DESCRIPTION	DATE	DWN	APVD
		E		ADDED -2 PER NPR 4662	25 MAR 93	-	SB
		F		OBS -2 PER EC 0U1D-0245-00	02 FEB 01	DB	DK



1 POLYPHENYLENE OXIDE, WHITE.

RELEASED FOR PUBLICATION

THIS DRAWING IS UNPUBLISHED.

BY AMP INCORPORATED. ALL RIGHTS RESERVED. © COPYRIGHT 19

OBSOLETE	200 PER BAG	206509-2
	BULK	206509-1
	PACKAGING	PART NO

DIMENSIONS IN mm [IN]	DWN D. GELTZ 19 FEB 90	MATERIAL 1	FINISH -
TOLERANCES UNLESS OTHERWISE SPECIFIED:	CHK R. STONE 20 FEB 90	AMP Incorporated Harrisburg, PA 17105-3608	
0 PLC ±-	APVD J. WESTMAN 20 FEB 90	NAME KEYING PLUG, SIZE 20, AMPLIMITE™	
1 PLC ±-	PRODUCT SPEC -	SIZE A4	RESTRICTED TO -
2 PLC ±-	APPLICATION SPEC -	CAGE CODE 00779	DRAWING NO C- 206509
3 PLC ±-	WEIGHT -	SCALE 20:1	
4 PLC ±-		SHEET 1 OF 1	
ANGLES ±-		REV F	
CUSTOMER DRAWING			

